

TROLLEY-MOUNTED PUMPS FOR ABRASIVE LIQUIDS

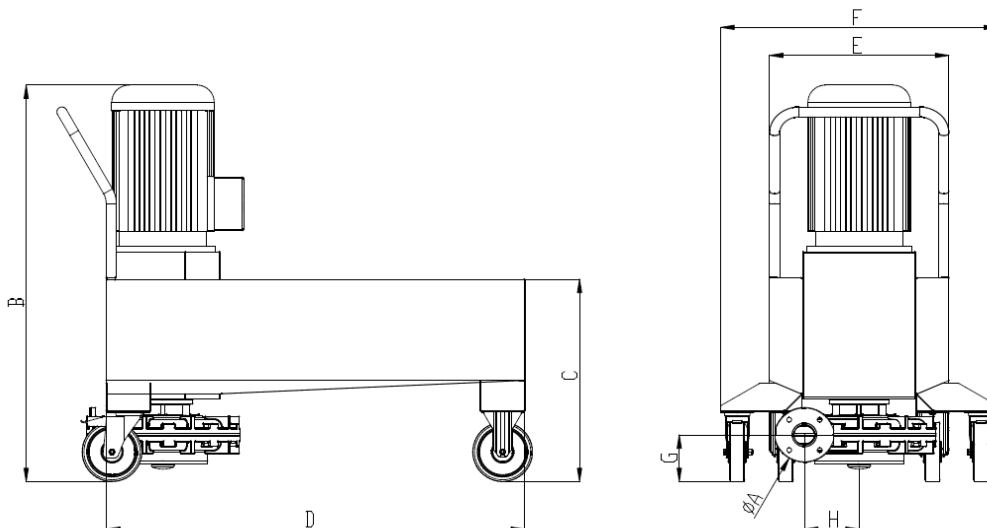
PGM3-PGM4-PGM5-PGM6

TECHNICAL FEATURES

DATA	U.M.	PGM 3	PGM 4	PGM 5	PGM 6
Tank dimensions	mm	600x600	600x600	600x600	600x950
		600x950	600x950	600x950	600x1400
			600x1400	600x1400	
Electrical power	kW	4	5,5	9,2	18,5
Max. slurry flow rate	m ³ /h	12	18	30	50
Max. slurry prevalence	ml/H ₂ O	6	7	20	27
Outlet flange	Tipo	DN40	DN65	DN65	DN65
Motor	Taglia	112	132	132	180
Weight	N	VEDI TABELLA SOTTOSTANTE			

STRUCTURAL FEATURES

- Interchangeable pump body cladding made of wear-resistant rubber
- AISI 304 stainless steel collection tank



Models/ Weights/Size	Weight(Kg)	ØA	B	C	D	E	F	G	H
PGM3 600x600	100	DN 40	916	500	600	600	800	130	72
PGM3 600x950	105	DN 40	916	500	950	600	800	130	72
PGM4 600x600	110	DN 65	963	500	600	600	800	103	104
PGM4 600x950	115	DN 65	963	500	950	600	800	103	104
PGM4 600x1400	125	DN 65	963	500	1400	600	800	103	104
PGM5 600x600	115	DN 65	966	500	600	600	800	118	143
PGM5 600x950	120	DN 65	966	500	950	600	800	118	143
PGM5 600x1400	130	DN 65	966	500	1400	600	800	118	143
PGM6 600x950	180	DN 65	1335	680	950	600	925	157	180
PGM6 600x1400	190	DN 65	1335	680	1400	600	925	157	180

USE

- Transferring glazes and slurries from processing machines.

The information is approximate - The guaranteed values are released by Vibrotech s.r.l. on request - It is forbidden to reproduce the document even partially.