

POWDER DISSOLVERS

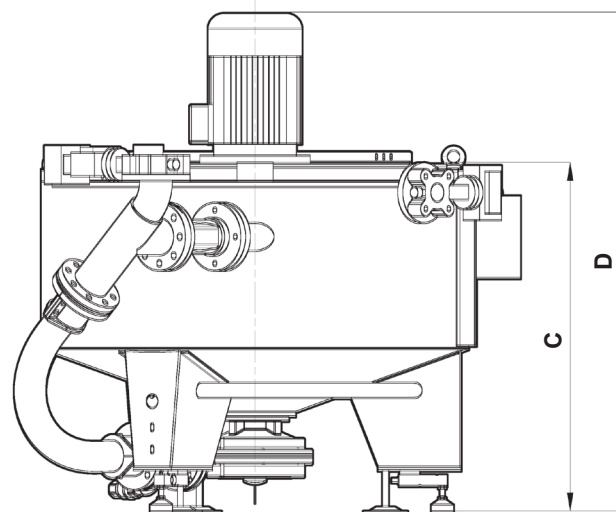
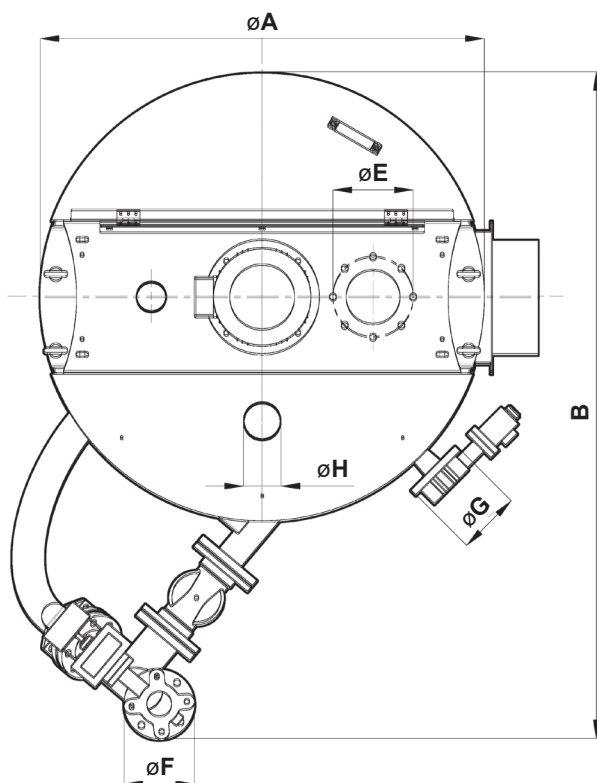
EMT 4-5-6

TECHNICAL FEATURES

DATA	U.M.	EMT 4	EMT 5	EMT 6
Electric power	kW	7,5	11	18,5
Bathtub capacity	l	500	1000	1500
Weight	N	3237	5641	9810
Melting ability	kg/h	600	1200	2400
Air pressure included	bar	6	6	6
Air consumption included	nl/h	20	20	20
Water pressure	bar	4	4	4
Water consumption	l/min	400	500	600

STRUCTURAL FEATURES

- A unit with vertical pump here the shaft works overhanging without the bottom bushing and allows them to work on a Dry condition.
- The tank is in stainless steel AISI 304.
- Electro-pneumatic butterfly valves with lens in stainless Steel AISI 316
- Transmission tube in abrasionproof rubber.
- A new weighing system allows to achieve the correct dosage of liquid and powders with ease



Mod./Size	A	B	C	D	E	$\varnothing F$	$\varnothing G$	$\varnothing H$
EMT 4	1162	1743	947	1355	DN125	DN65	DN50	100
EMT 5	1506	2088	1182	1672	DN125	DN65	DN50	100
EMT 6	1700	2354	1324	1884	DN125	DN80	DN65	120

USE

- At the filters discharge.
- To break down different powders.

ACCESSORIES AND VERSIONS

- Dosage unit impeding flocculation
- Rotating washing heads
- Remote assistance

The information is approximate - The guaranteed values are released by Vibrotech s.r.l. on request - It is forbidden to reproduce the document even partially.