

IRON-REMOVE FOR LIQUIDS

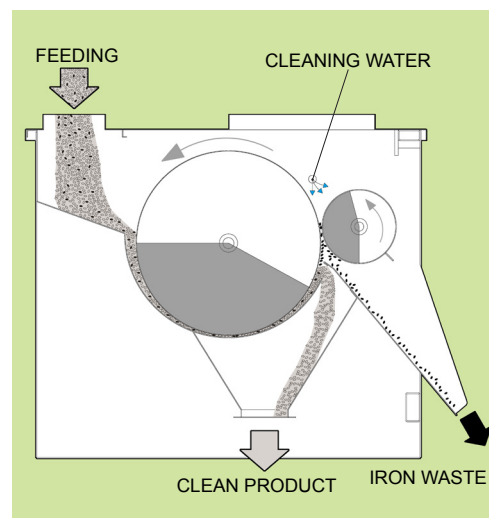
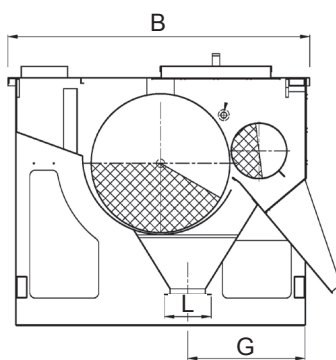
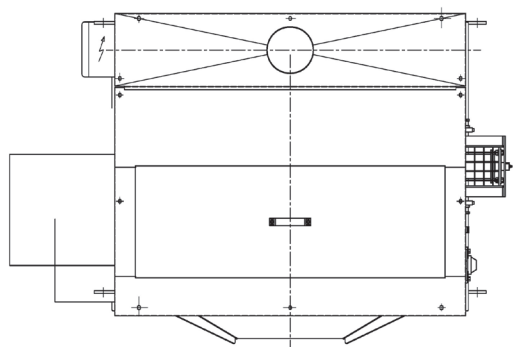
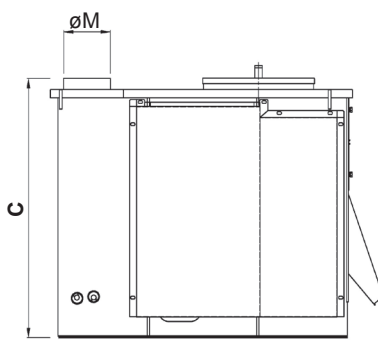
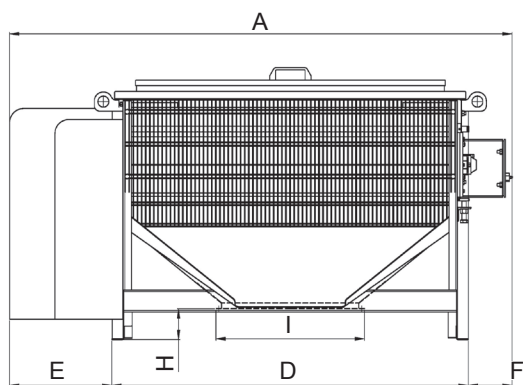
DEMOVER 250-400-800-1600 PLUS

TECHNICAL FEATURES

| DATA | U.M. | 250 | 400 | 800 | 1600 |
|---------------------------|-------|-----------|-----------|-----------|-----------|
| Nominal power of magnets | Gauss | 16.000 | 16.000 | 16.000 | 16.000 |
| Power | kW | 0,18+0,12 | 0,18+0,12 | 0,55+0,18 | 0,55+0,18 |
| Washing water consumption | l/s | 0.10 | 0.15 | 0.15 | 0.20 |
| Weight | kg | 270 | 350 | 650 | 1400 |
| Maximum Capacity | l/h | 12,000 | 18,000 | 36,000 | 72,000 |

STRUCTURAL FEATURES

- Automatic programmable cleaning
- Rollers with high-gradient permanent magnets
- All parts in contact with AISI 304 stainless steel
- Gearmotors with life-long lubrication
- AISI 304 stainless steel accident-prevention protections



| Mod./Size | A | B | C | D | E | F | G | H | I | L | øM |
|-----------|------|------|------|------|-----|-----|-----|-----|-----|-----|-----|
| 250 | 1356 | 793 | 661 | 896 | 310 | 150 | 272 | 12 | 290 | 170 | 170 |
| 400 | 1756 | 793 | 661 | 1296 | 310 | 150 | 272 | 12 | 540 | 170 | 170 |
| 800 | 1828 | 1098 | 942 | 1296 | 372 | 160 | 426 | 112 | 540 | 170 | 170 |
| 1600 | 2262 | 1644 | 1243 | 1697 | 400 | 165 | 500 | 112 | 940 | 240 | 300 |

USE

- Casting slip deferrization
- Grinding water deferrization

ADVANTAGES

- Constant efficiency, ensured by fully automatic cleaning
- Permanent magnets to ensure operation under any condition
- High capacities with reduced overall dimensions

The information is approximate - The guaranteed values are released by Vibrotech s.r.l. on request-It is forbidden to reproduce the document even partially.