

VIBRATING SCREEN FOR POWDER

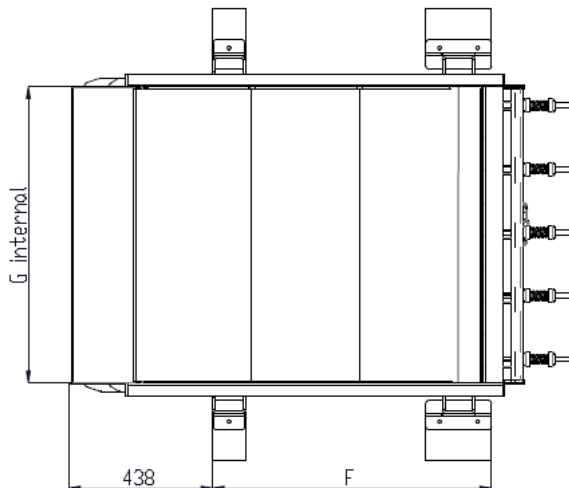
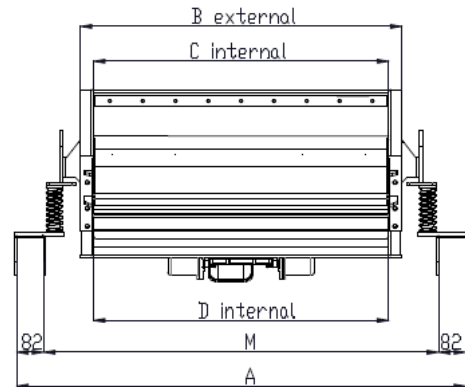
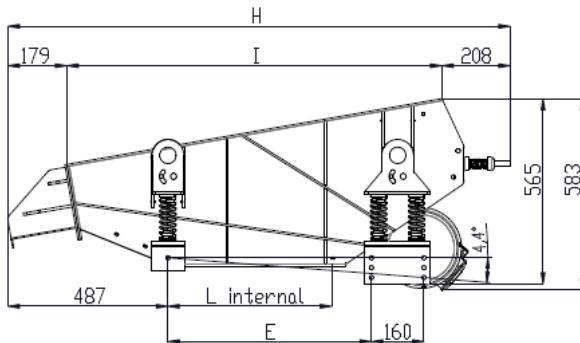
SET 700-900-1200

TECHNICAL FEATURES

DATA	U.M.	1200	900	700
Number screening nets	No.	1		
Screening surface	m ²	1,35	0,92	0,64
Power	kW	1,15	0,65	0,62
Centrifugal force	N	13367	10928	7004
Motorised vibrator	Type	MVE 1400/15	MVE 1100/15	MVE 700/15
Weight	kg	400	340	280

STRUCTURAL FEATURES

- Stainless steel frame
- Elastic system with steel springs
- Unidirectional motorised vibrator
- Mesh with hooks and automatic spring-operated pre-tensioning system



NOTE!
The support trolley is optional

Mod./Size	A	B	C	D	E	F	G	H	I	L	M
700	1168	780	700	700	520	750	700	1430	1043	400	1004
900	1368	980	900	900	620	850	900	1530	1143	500	1204
1200	1668	1280	1200	1200	720	950	1200	1630	1243	600	1504

USE

- Screening between the atomiser and storage silos
- On the lorry loading lines

ACCESSORIES AND VERSIONS

- Supporting carriage
- Carbon steel frame

The information is approximate - The guaranteed values are released by Vibrotech s.r.l. on request-It is forbidden to reproduce the document even partially.